

ComfortView - GLIDE™



THE CHALLENGE | THE SOLUTION | FEATURES

THE CHALLENGE

The Eyes Lead the Body

Because the brain prioritizes the movement of the eyes when encountering visual information, adjustments made to the rest of the body are unconscious.

When the body is tied to a fixed position, such as computer input devices, the eyes continue to drive the movement while the body follows, sacrificing neutral posture. The larger the visual field, the greater the risk.



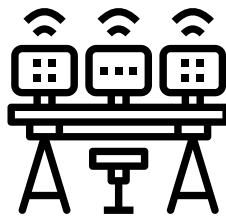
The ComfortView-GLIDE workstation's floating surface has been uniquely designed to address a specific ergonomic challenge:

When the following workspace conditions are present:

The following problem is present:



+



=



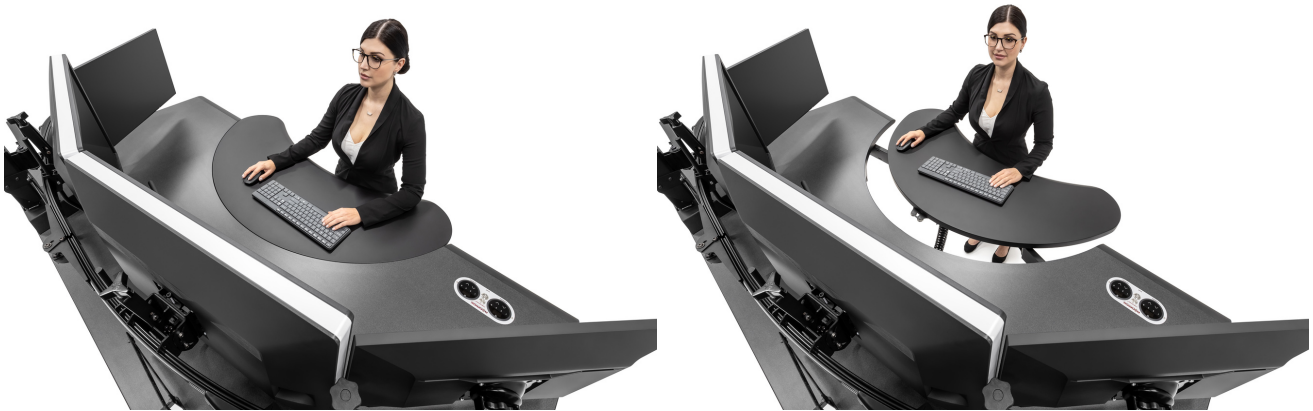
The user interacts with devices in a fixed position on the desktop (keyboard, mouse, etc.)

The user focuses on visual information that is larger than a two-monitor landscape

The body makes constant, unconscious sacrifices in posture to accommodate the eyes and desktop devices

THE SOLUTION

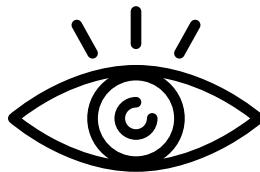
RedRick's ComfortView-GLIDE™ workstation features a revolutionary floating work surface designed to support users' natural, unconscious adjustments. By allowing the primary workspace to move freely along the horizontal plane, users can reduce the risks of repetitive strain injuries due to prolonged fixed positions.



RedRick's ComfortView - GLIDE™ workstation alleviates risks created by traditional desks by smoothing the transition between the body's natural movement and the static presentation of the information displayed on monitors. These ergonomic benefits include:



Head and neck alignment, including the prevention of repetitive strain injuries



Encouraging the body to naturally follow the visual gaze across multiple displays



Eliminating the ergonomic risks that may arise with ultra-wide monitor arrays

FEATURES

ComfortView-GLIDE™ workstations include specially designed features which make them comfortable and easy to use, including:



The capability to support the arms and shoulders in an ergonomically relaxed position



The ability to electronically latch and unlatch from the primary work surface with the push of a button



Flexibility to smoothly glide anywhere along the horizontal plane to facilitate body rotation



Self-contained cable management and power distribution to keep the electronic systems organized and secure



A RedRick ComfortView™ monitor mount with the ability to support large diagnostic displays



RedRick also offers a full range of accessories to customize your workstation and ensure it provides a productive and easily managed environment. Please contact us for more information.



21624 Adelaide Road, Mount Brydges, Ontario, Canada, N0L 1W0 | T: 519.264.2400 | TF: 1.800.340.9511 | F: 519.264.2404

Passing on and copying of this document, use and communication of its contents not permitted without written authorization of RedRick Technologies Inc.
©2021 RedRick Technologies Inc. All rights reserved. Printed in Canada.

redricktechnologies.com